



OFFICE STAR™
PRODUCTS

OFFICE CHAIR

MODEL # SC117NF

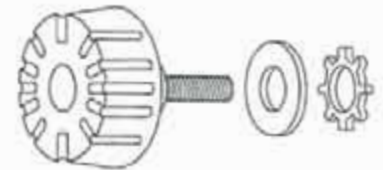


IMPORTANT NOTICE

YOU WILL FEEL A SLIGHT
"BOUNCE-BACK" WHEN YOU SIT
DOWN. THIS IS NORMAL; NOT A
DEFECT. THE PNEUMATIC
CYLINDER FOR THE SEAT HEIGHT
ADJUSTMENT REACTS TO YOUR
WEIGHT BY GIVING A LITTLE.



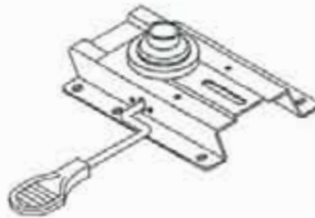
4. Seat Post Cover



8. Seat Depth Adjustment
Knobs + Washer



1. Caster (5)



5. Mechanism



9. Mechanism Screw (6)



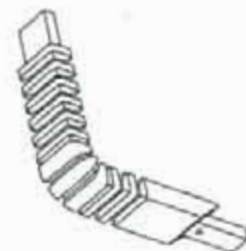
2. Base



6. Seat



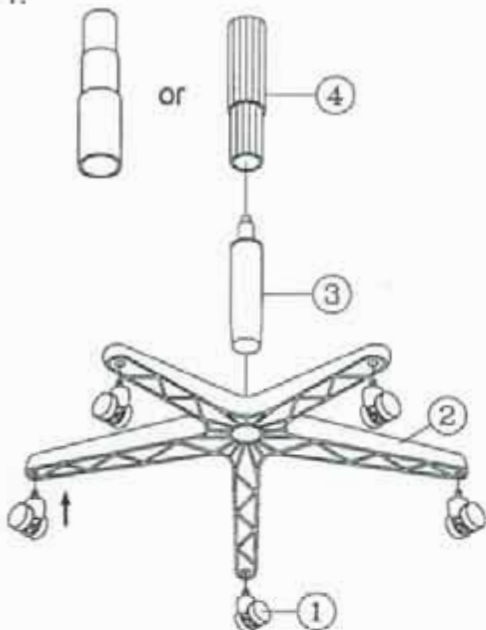
10. Backrest Height Adj.
Knob + Washer



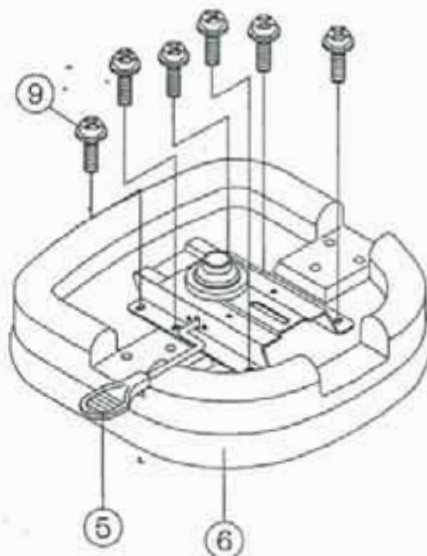
ASSEMBLY INSTRUCTION

Remove all items from the carton . Verify all pieces before assembly.

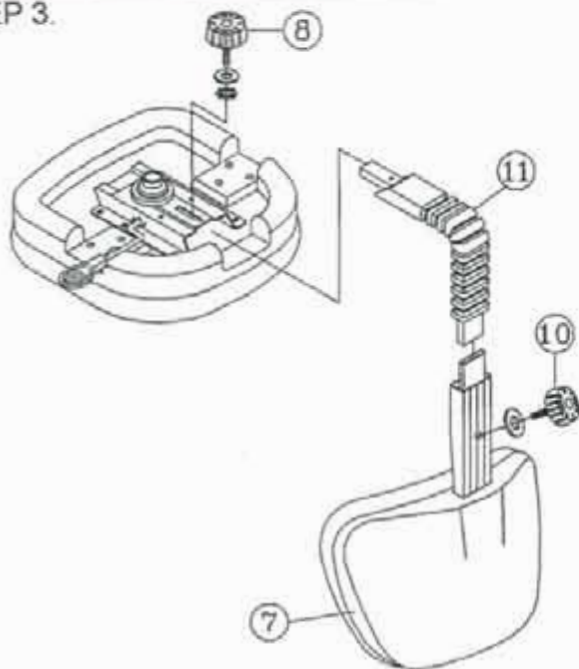
STEP 1.



STEP 2.



STEP 3.



**OFFICE STAR™
PRODUCTS**

SC117NF

PREVENTIVE MAINTENANCE AND WARNING!

- USE THIS PRODUCT ONLY FOR SEATING ONE PERSON AT A TIME.
- DO NOT USE THIS CHAIR AS A STEP STOOL / LADDER.
- DO NOT USE CHAIR UNLESS ALL BOLTS , SCREWS AND KNOBS ARE TIGHT. AT LEAST EVERY SIX MONTHS , CHECK ALL BOLTS , SCREWS AND KNOBS TO BE SURE THEY ARE TIGHT.
- IF ANY PARTS ARE MISSING , BROKEN , DAMAGED OR WORN , STOP USE OF THE PRODUCT UNTIL REPAIRS ARE MADE USING FACTORY AUTHORIZED PARTS.
- FAILURE TO FOLLOW THESE WARNINGS COULD RESULT IN SERIOUS INJURY.

Thank you for purchasing a quality Office Star Product Chair . If you are missing a part or require assistance with assembly...

DO NOT RETURN TO STORE