

FL6435 FAUX LEATHER VISITORS CHAIR

OPERATING INSTRUCTIONS



WARNING

1. Use this product only one person at a time.
2. Do not use this chair unless all bolts screws and knobs are securely tightened.
3. Check that all bolts screws and knobs are tight every three months or as needed.
4. Dispose of packing material properly. Do not use plastic cover as head covering. It may cause suffocation.
5. Do not use chair as a stepladder.
6. Use this chair for its intended purpose only.
7. Use mild detergent only for cleaning.

LIMITED WARRANTY

Office Star chairs are warranted from the date of purchase against failure due to material and workmanship as follows:

- 5 Years on all non-moving metal parts.
- 2 Years on component parts including Control mechanisms, pneumatic cylinders, wood, plastic parts, base and casters.
- 1 Year on upholstery fabric and foam against wear and deterioration.

To make a warranty claim, contact Parts Department. Provide model number, proof of purchase, description of the problem and obtain return authorization. At it's option Office Star Products will:

- (a) Supply compatible components of current manufacture.
- (b) Repair the customer's component. The customer must prepay freight on any components returned to the factory. Return freight on components still in warranty will be paid by Office Star Products.

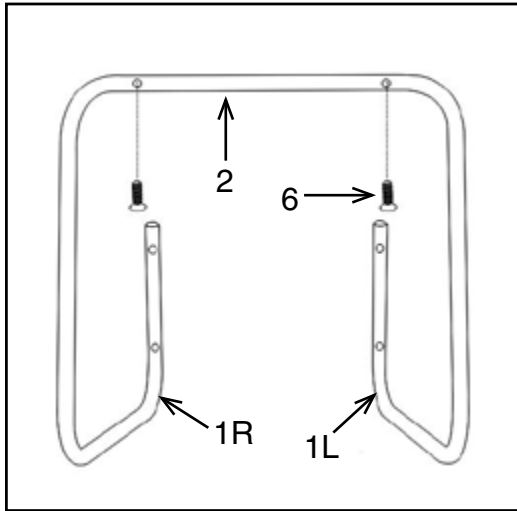
**All warranties are limited to the original purchaser for normal Residential usage by persons weighing 200 lbs. or less. This warranty will not cover labor, freight or damage from misuse, abuse, negligence, alteration, accident, vandalism, rusting, acts of nature or any other event beyond the control of Office Star Products. The warranty does not cover cosmetic damage that may result from normal use. Liability for incidental or consequential damages is excluded. The user assumes all risk of injury resulting from use of this product. This warranty gives you specific legal rights, and you may also have other rights which vary from state to state.*

Our quality standards are among the highest in the industry. Sometimes, no matter how hard we try, there are times when parts are damaged or missing. Our Parts Department will do everything possible to promptly remedy the problem. Contact us via e-mail parts@officestar.net, by Fax 1-909-930-5629, or toll free parts number 1-800-950-7262, Monday through Friday 8:00 a.m. - 5:00 p.m. Pacific Time.

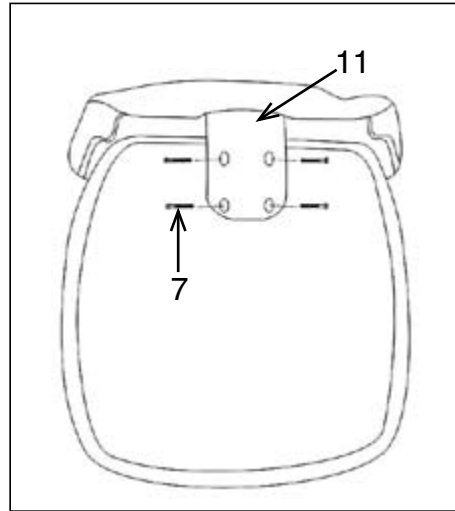
FL6435 FAUX LEATHER VISITORS CHAIR

ASSEMBLY INSTRUCTIONS

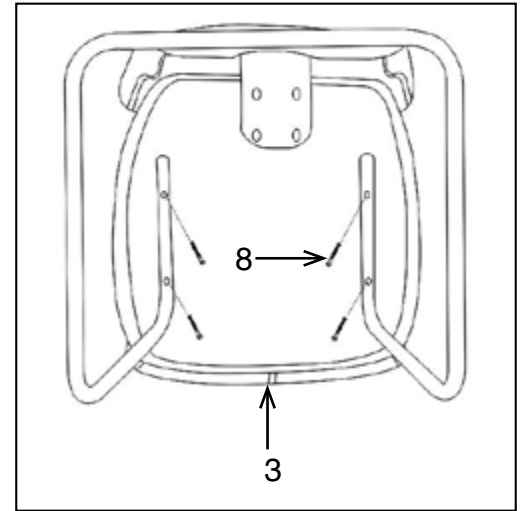
STEP 1



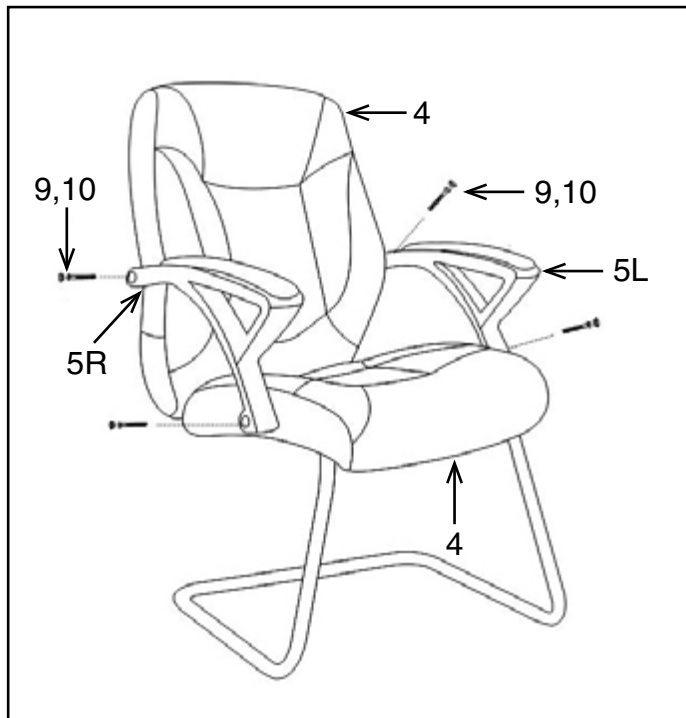
STEP 2



STEP 3



STEP 4



| PART | QTY |
|--|-----|
| 1. Base (1L & 1R) | 2 |
| 2. Sled Spacer | 1 |
| 3. Seat Cushion | 1 |
| 4. Back Cushion | 1 |
| 5. Arms (5L & 5R) | 2 |
| 6. Small Screws | 2 |
| 7. Medium Screws | 4 |
| 8. Long Screws | 4 |
| 9. Extra Long Screws | 4 |
| 10. Plastic Plugs | 4 |
| 11. Back Support (pre-installed) | 1 |
| 12. Allen Wrench (not shown) | 1 |

Remove all parts from carton, separate by part numbers indicated on parts list, and verify part quantities.

STEP 1 Attach Sled Spacer (2) between Base (1L & 1R) using two Small Screws (6),
TIGHTEN ALL SCREWS COMPLETELY USING ALLEN WRENCH (12)

STEP 2 Attach Back Support (11) to Seat Cushion (3) using four Medium Screws (7),
TIGHTEN ALL FOUR SCREWS COMPLETELY USING ALLEN WRENCH (12).

STEP 3 Attach assembled Base (1L & 1R) to Seat Cushion (3) using four Long Screws (8),
TIGHTEN ALL FOUR SCREWS COMPLETELY USING ALLEN WRENCH (12).

STEP 4 Align the holes in the Arms (5L & 5R) with the holes in the Seat Cushion (3) and Back Cushion (4), attach Arms (5L & 5R) using two Extra Long Screws (9) for each arm. **TIGHTEN ALL SCREWS COMPLETELY USING ALLEN WRENCH (12),** cover screw holes in arms using two Plastic Plugs (10) for each arm.

ATTENTION: MAKE SURE ALL SCREWS ARE FULLY TIGHTENED BEFORE USING CHAIR.